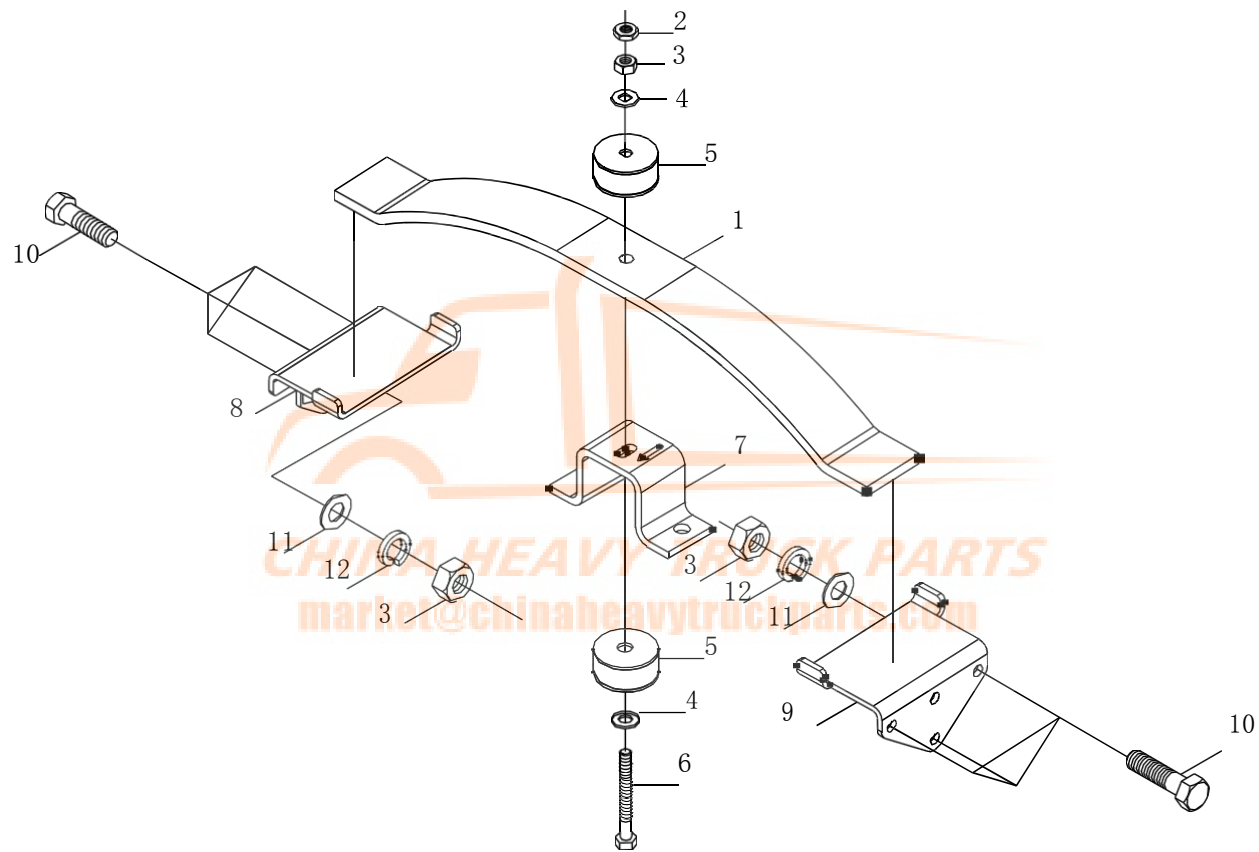


1S32531721501 变速器操纵机构 Gearbox operation mechanism

标号 No.	零件代号 Part Code	零件名称及规格	Part Name and Spec.	适用车型及用量 (件) Applicable vehicle model and needed quantity (PCS)									
				用量 Total	车型 Vehicle Model	用量 Total	车型 Vehicle Model	用量 Total	车型 Vehicle Model	用量 Total	车型 Vehicle Model		
	1S32531721501	变速器操纵机构	Gearbox operation mechanism	1	3253DLPJE- 0RZA01								
1	1325317204005	伸缩杆总成	Retractable rod assy	1									
2	Q33010	全金属六角法兰面锁紧螺母	Full metal hexagon flange locking-nut	1									
3	Q1841080TF2	六角法兰面螺栓	Hexagon flange bolt	1									
4	Q33410	1 型全金属六角锁紧螺母	Full-metal Hexagon locking nut, Type 1	5									
5	Q5002022	开口销	Split pin	3									
6	Q387B10	六角开槽薄螺母	Thin hexagon slotted nut	3									
7	1325317207011	选档支架	Gear-selection support	1									
8	1424217200010	选档后支撑杆总成	Gear-selection rear struting rodassy	1									
9	1125317207009	换档拉杆总成	Gearshift pull rod assy	1									
10	1424217200007	选档拉杆总成	Gearselection pull rodassy	1									
11	1425317207006	换档摇臂总成	Gearshift rocker arm assy	1									
11.1	1424217200062	直衬套	Straight bush	1									
11.2	1424217200063	L 型衬套	L-type bush	1									
12	1424217200012	减噪垫圈	Noise-reducing washer	1									
13	Q150B1055	六角头螺栓	Hexagon head bolt	1									
14	Q40310	弹簧垫圈	Spring washer	6									
15	1425317207008	四角支架总成	Four corner support assy	1									
16	1424217200013	厚垫圈	Thick washer	1									
17	1424217300008	密封垫片	Gasket	1									
18	Q1801070TF2	六角法兰面承面带齿螺栓	Indented bolt, w/hexagon flange bearing surface	2									
19	Q150B1050	六角头螺栓	Hexagon head bolt	5									
20	Q1801050TF2	六角法兰面承面带齿螺栓	Indented bolt, w/hexagon flange bearing surface	1									

1S32531751501 变速器悬置 Gearbox suspension



1S32531751501 变速器悬置 Gearbox suspension

标号 No.	零件代号 Part Code	零件名称及规格	Part Name and Spec.	适用车型及用量 (件) Applicable vehicle model and needed quantity (PCS)									
				用量 Total	车型 Vehicle Model	用量 Total	车型 Vehicle Model	用量 Total	车型 Vehicle Model	用量 Total	车型 Vehicle Model		
	1S32531751501	变速器悬置	Gearbox suspension	1	3253DLPJE-0RZA01								
1	1122917500011	弹簧梁	Spring beam	1									
2	Q350B12	六角薄螺母	Hexagon thin nut	1									
3	Q340B12	1 型六角螺母	Hexagon nut - Type 1	7									
4	Q40212	大垫圈	Big washer	2									
5	1115013200001	散热器软垫	Radiator soft washer	2									
6	Q150B12110	六角头螺栓	Hexagon head bolt	1									
7	1325317581009	弹簧梁连接支架	Spring beam connecting bracket	1									
8	1325117510007	左托架	LH bracket	1									
9	1325117500003	弹簧梁托架	Spring beam bracket	1									
10	Q150B1245	六角头螺栓	Hexagon head bolt	6									
11	Q40112	平垫圈	Flat washer	6									
12	Q40312	弹簧垫圈	Spring washer	6									

CHINA HEAVY TRUCK PARTS
market@chinaheavytruckparts.com