



**SINOTRUK**  
**HF7/HF9 FRONT AXLE SPARE**  
**PARTS CATALOG**

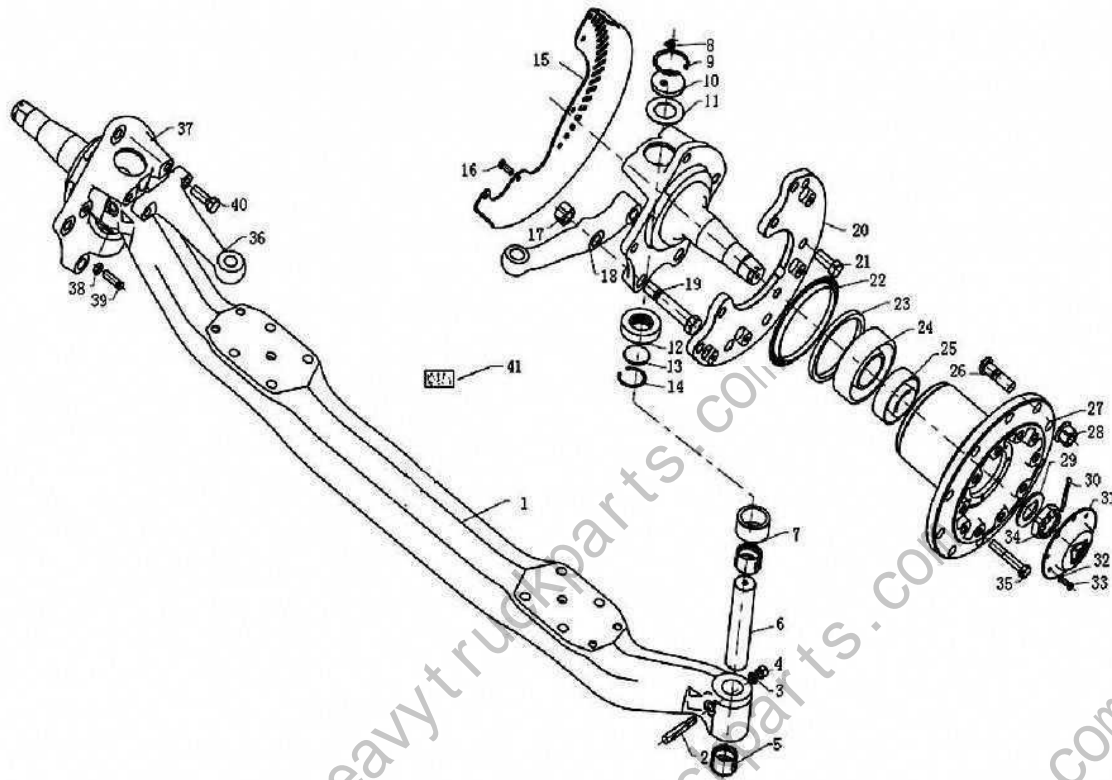
[www.chinaheavytruckparts.com](http://www.chinaheavytruckparts.com)  
[www.chinaheavytruckparts.com](http://www.chinaheavytruckparts.com)  
[www.chinaheavytruckparts.com](http://www.chinaheavytruckparts.com)

# INDEX

HF7 FRONT AXLE	Page 3
HF9 FRONT AXLE	Page 5
SECOND GENERATION DISK BRAKE	Page 7

*www.chinaheavytruckparts.com*  
*www.chinaheavytruckparts.com*  
*www.chinaheavytruckparts.com*

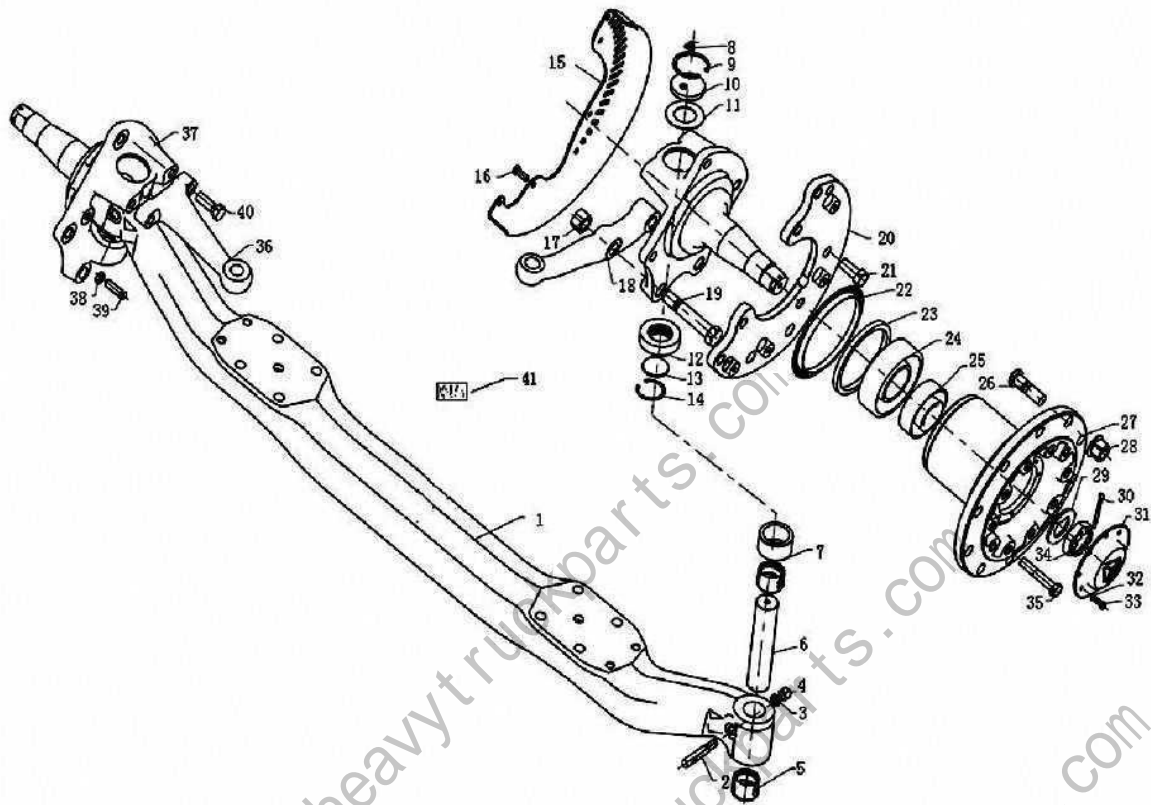
前轴总成 (HR7, ABS, 分体式转向节, 带防护罩)



HF7 FRONT AXLE, SINOTRUK 2010			
Serial	Number	Name	Quantity
1	AZ9900410083	7 ton front axle assy	1
2	AZ9100411005	main pin retaining screw	2
3	Q40314	spring gasket	2
4	Q340B14T13F2	I-type hexagon nut	2
5	WG9100411035	bushing	4
6	AZ9100413045	knuckle pin	2
7	AZ9100413035	main pin retainer	2
8	Q701B70	grease nipple	2
9	Q43070	elastic retaining ring for hole	2
10	AZ9100413070	main pin cap	2
11	AZ9100413011-24	gasket	nB
12	WG9700411049	thrust bearing for front wheel	2
13	AZ9100411007	cap	2
14	Q43055	elastic retaining ring for hole	2
15	WG9100413053	right dust cover	1
15a	WG9100413052	left dust cover	1

16	Q150B1025	hexagon head bolt	8
17	Q361B24T13F2	2-type hexagon nut- fin thread	4
18	AZ9719413004	right tie rod arm	1
18a	AZ9719413003	left tie rod arm	1
19	AZ9100413008	hexagon head bolt	4
1a	AZ9719410090	7 ton front axle assy (spring distance 900)	1
20	WG9100413004	connecting plate	2
21	Q151B2045TF2	hexagon head bolt	4
22	WG9112410019	gear ring	2
23	WG9003074387	sealing ring for shaft	2
24	WG9100032314	cone rolling bearing	2
25	WG9100032311	cone rolling bearing	2
26	WG9100410212	bolt for wheel	20
27	AZ9100412211	front wheel hub	2
28	WG9003884160	nut for wheel	20
29	WG9100410062	gasket	2
30	Q5006370	cotter	2
31	WG9100413068	cap for hub	2
32	Q40308	spring gasket	16
33	Q150B0816	hexagon head bolt	16
34	AZ9100411140	knuckle locking nut	2
35	Q151B1690TF2	hexagon head bolt	20
36	AZ9719411005	tie rod arm	1
37	AZ9100413002	knuckle (left)	1
37a	AZ9100413003	knuckle (right)	1
38	Q351B14T15	hexagon nut	2
39	WG880410059	adjusting screw	2
40	Q151B1850TF2	hexagon head bolt	2
41	WG2297Y4835	nameplate	1

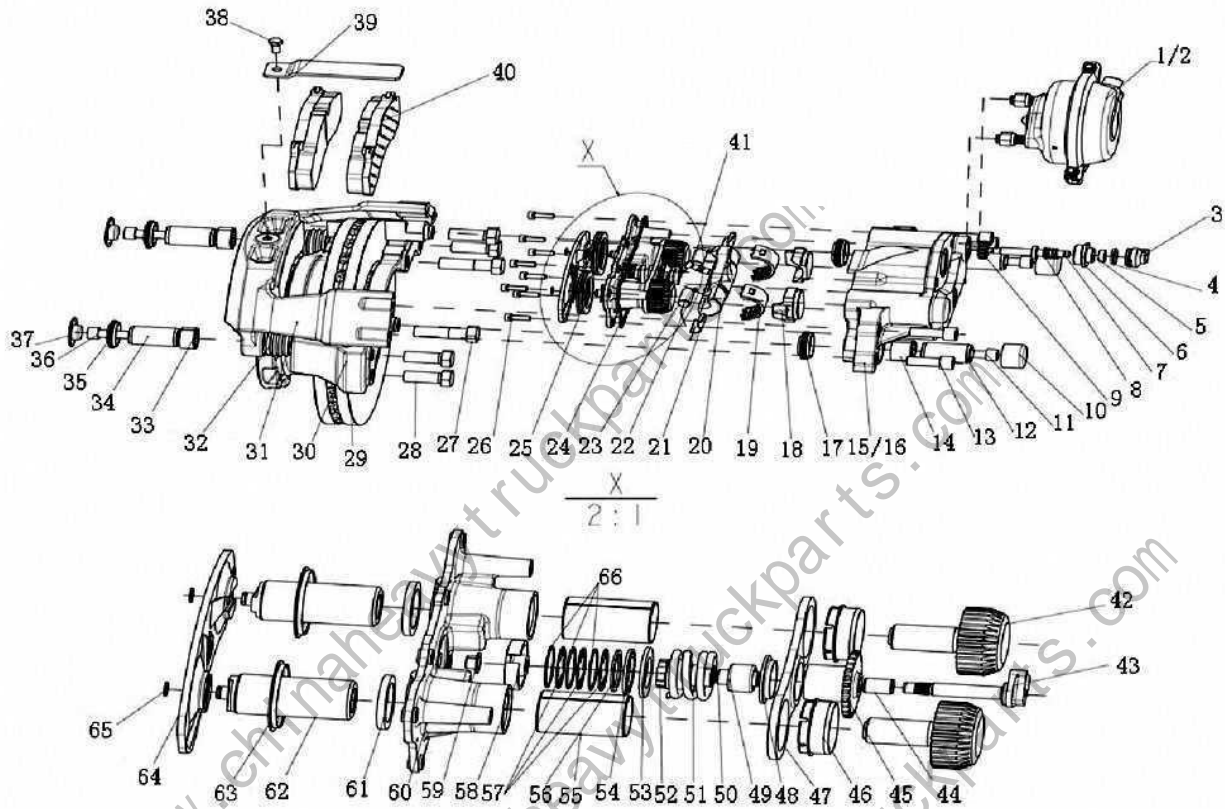
前轴总成 (HR9, ABS, 分体式转向节, 带防护罩)



HF9 FRONT AXLE, SINOTRUK 2010			
powered by CHINA HEAVY TRUCK PARTS LTD, www.cnhtcsinotruk.com			
Serial	Number	Name	Quantity
1	AZ9100413007	9 ton front axle assy	1
2	AZ9100411005	main pin retaining screw	2
3	Q40314	spring gasket	2
4	Q340B14T13F2	l-type hexagon nut	2
5	WG9100411035	bushing	4
6	AZ9100413045	knuckle pin	2
7	AZ9100413035	main pin retainer	2
8	Q701B70	grease nipple	2
9	Q43070	elastic retaining ring for hole	2
10	AZ9100413070	main pin cap	2
11	AZ9100413011-24	gasket	nB
12	WG9700411049	thrust bearing for front wheel	2
13	AZ9100411007	cap	2
14	Q43055	elastic retaining ring for hole	2
15	WG9100413053	right dust cover	1

15a	WG9100413052	left dust cover	1
16	Q150B1025	hexagon head bolt	8
17	Q361B24T13F2	2-type hexagon nut- fin thread	4
18	AZ9719413004	right tie rod arm	1
18a	AZ9719413003	left tie rod arm	1
19	AZ9100413008	hexagon head bolt	4
1a	AZ9719410092	9 ton front axle assy (spring distance 900)	1
20	WG9100413004	connecting plate	2
21	Q151B2045TF2	hexagon head bolt	4
22	WG9112410019	gear ring	2
23	WG9003074387	sealing ring for shaft	2
24	WG9100411014	cone rolling bearing	2
25	WG9100411010	cone rolling bearing	2
26	WG9100410212	bolt for wheel	20
27	AZ9100412211	front wheel hub	2
28	WG9003884160	nut for wheel	20
29	WG9100410062	gasket	2
30	Q5006370	cotter	2
31	WG9100410043	cover	2
32	Q40308	spring gasket	16
33	Q150B0816	hexagon head bolt	16
34	AZ9100411140	knuckle locking nut	2
35	Q151B1690TF2	hexagon head bolt	20
36	AZ9719411011	rie rod arm	1
36	AZ9719411005	rie rod arm	1
37	AZ9100413002	knuckle (left)	1
37a	AZ9100413003	knuckle (right)	1
38	Q351B14T15	hexagon nut	2
39	WG880410059	adjusting screw	2
40	Q151B1850TF2	hexagon head bolt	2
41	WG2297Y4835	nameplate	1

第二代应用型盘式制动器



SECOND GENERATION DISK BRAKE, SINOTRUK 2010			
<i>powered by CHINA HEAVY TRUCK PARTS LTD, www.cnhtcsinotruk.com</i>			
Serial	Number	Name	Quantity
1	WG9100360410	front left brake chamber 22"	1
2	WG9100360420	front right brake chamber 22"	1
3	WG9100443009	rubber hat	2
4	AZ9100443010	hand-adjusting retaining ring	2
5	WG9100443011	seal	2
6	WG9100443008	head-adjusting seat	2
7	WG9100443041	hand-adjusting shaft	2
8	WG9100443043	spring	2
9	WG9100443042	hand-adjusting gear	2

10	AZ9100443016	sliding pin cap	4
11、 36	Q218B1450TF2	inner hexagon column screw	4
12、 34	AZ9100443013	sliding pin	4
13	Q218B1645TF2	inner hexagon column screw	8
14	WG9100443014	sliding pin bushing	4
15	AZ9100443301	left clamp	1
16	AZ9100443401	right clamp	1
17、 32、 35	WG9100443017	sliding pin protective sleeve	4
18	AZ9100443023	half moon bearing block	4
19	WG9100443022	half moon bearing assy	4
20	WG9100443031	leverage	2
21	WG9100443033	bushing	4
22	WG9100443034	rivet	4
23	AZ9100443021	column pin	4
24	WG9100443024	rubber gasket	2
25	WG9100443027	piston dust cover	4
26	Q218B0825TF2	inner hexagon column screw	16
27	Q151B2050TF2	hexagon head bolt	8
28	Q151B2070TF2	hexagon head bolt	4
29	WG9100443001	disk plate	2
30	AZ9100443002	support	2
31	AZ9100443004	clamp bridge	2
33	WG9100443019	sliding pin bushing	4
37	AZ9100443018	sliding cap	4
38	Q150B1020TF2	hexagon head bolt	2
39	AZ9100443006	pressing plate	2
40	WG9100443050	brake block	4
41	WG9100443032	driving head	2
42	WG9100443532	pushing rod	4
43	WG9100443511	main adjusting fork	2
44	WG9100443528	main adjusting bushing	2
45	WG9100443512	main adjusting gear	2
46	WG9100443525	pushing rod isolating bushing	4
47	AZ9100443518	main adjusting pressing plate	2
48	WG9100443524	main adjusting isolating bushing	2
49	WG9100443526	single direction clutch	2
50	WG9100443529	clutch shaft bushing	2
51	WG9100443519	spring	2
52	WG9100443515	overload clutch shaft	2
53	WG9100443513	supporting seat	2
54	WG9100443520	thrust bearing assy	2
55	WG9100443530	piston bushing	4



56	WG9100443521	bearing plate	2
57	WG9100443517	overload clutch lining	6
58	WG9100443514	overload clutch shell	2
59	WG9100443536	revers bearing	2
60	AZ9100443527	piston support	2
61	WG9100443539	oil seal	4
62	WG9100443531	piston	4
63	WG9100443534	dust cover compressing ring	4
64	AZ9100443533	thrust plate	2
65	Q43112	elastic retaining ring for shaft	4
66	WG9100443516	overload clutch outer lining	6

www.chinaheavytruckparts.com

www.chinaheavytruckparts.com

www.chinaheavytruckparts.com