



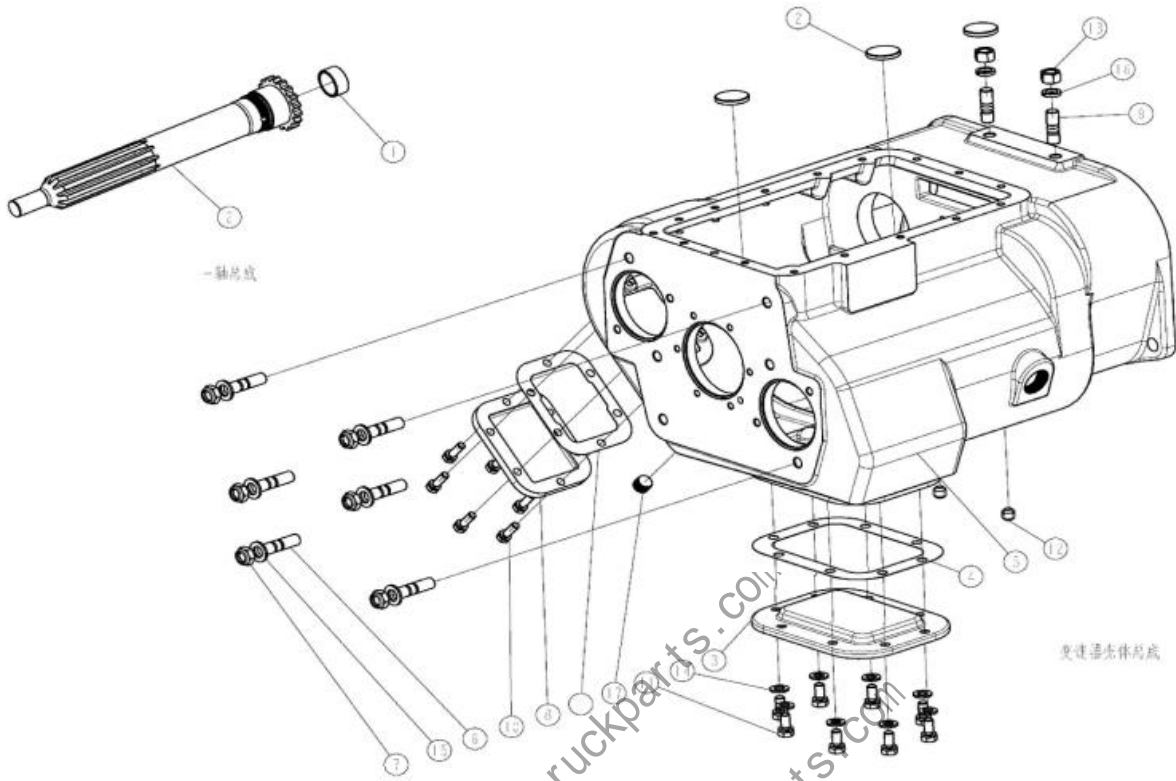
SINOTRUK
12JS160T GEARBOX
SPARE PARTS
CATALOG

www.chinaheavytruckparts.com
www.chinaheavytruckparts.com
www.chinaheavytruckparts.com

INDEX

Shell & 1st shaft	Page 3
Clutch	Page 5
Inner gears	Page 7
Upper cap	Page 9
Mechanism	Page 11
Vice box	Page 14
Turbo cylinder	Page 17
PTO	Page 18

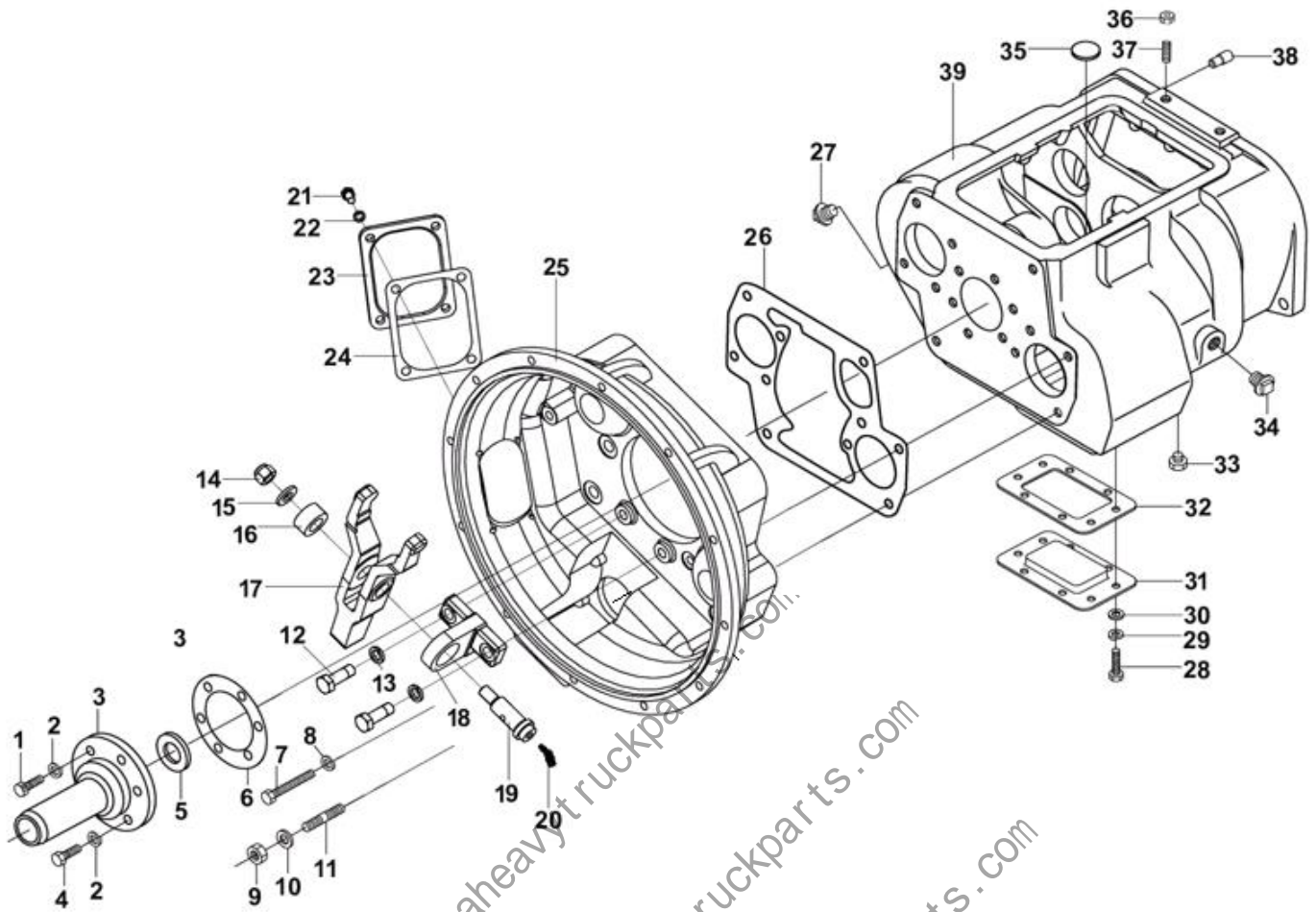
www.chinaheavytruckparts.com
www.chinaheavytruckparts.com
www.chinaheavytruckparts.com



SHELL			
Serial	P/N	Name	Qty in a Gearbox
1	1684	Liner	1
2	14373	Round magnet	3
3	16596	Cover	1
4	16929	Pad	1
5	12JS160T-1701015	Transmission case	1
6	C01056	Studs	6
7	GB890-80-M16X15	Hexagonal nuts	6
8	JS130T-1701020	PTO window cover	1
9	Q1231630	Stud studs	2
10	Q1421032	Hexagon head bolts and spring washer	6
12	Q2821616	Slotted flat end screw	2
13	Q341B16	Hex nuts	2
14	Q40112	Flat Washers	8

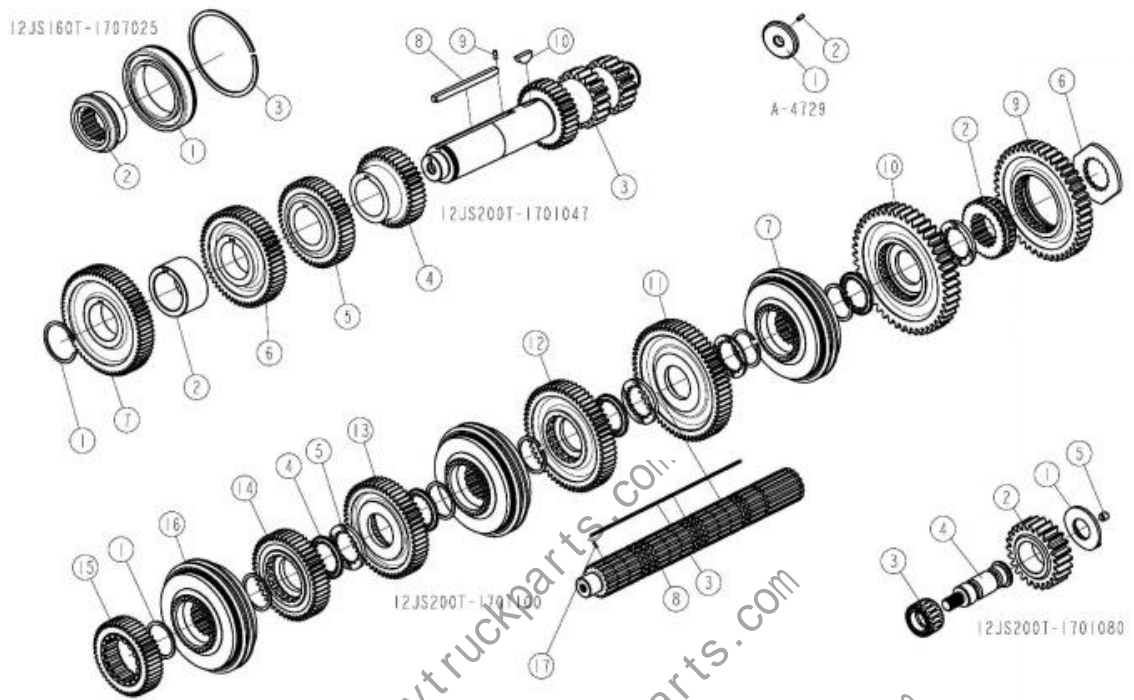
15	Q40116	Flat Washers	6
16	Q40316	Spring washers	2
17	Q61304	Slotted tapered plug	1
1ST SHAFT			
Serial	P/N	Name	Qty in a Gearbox
1	16566	2nd shaft guide sleeve	1
2	JS180-1701030-1-S	1st shaft	1

www.chinaheavytruckparts.com
www.chinaheavytruckparts.com
www.chinaheavytruckparts.com



Serial	P/N	Name	Qty in a Gearbox
1	Q1701032	bolt	2
2	Q40310	Spring washer	6
3	JS180-1701040-1	1st shaft bearing cover	1
4	GB5782-86	Hexagon head bolts	4
5	F500A-1802191	1st shaft bearing cover oil seal	1
6	14311	1st shaft bearing cover gasket	1
7	GB5783-86	Small hexagon head bolts	2
8	GB93-87	Spring washer	12
9	GB889-80	Hexagonal nylon ring lock nut	6
10	GB95-85	Washer	6
11	C01056	Studs	6
12	GB21-76	Small hexagon head bolts	2
13	GB93-76	Spring washer	2
14	GB889-80	Hexagonal nylon ring lock nut	1
15	JS180-1601022-1	Gasket	1

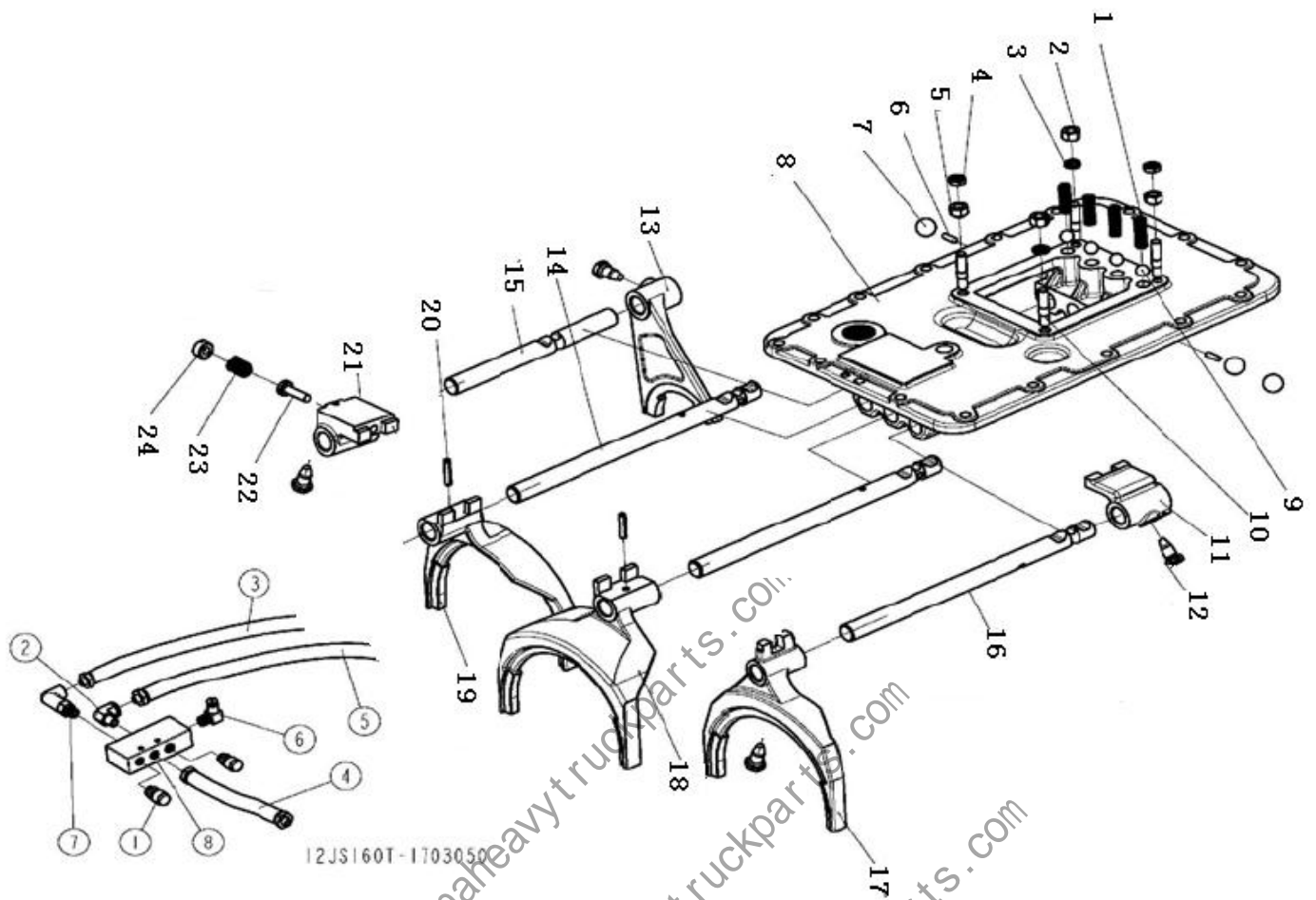
16	GE25ET-2RS	Joint bearing	1
17	JS180-1601021-1	Fork	1
18	JS180-1601024-1	T-plate	1
19	JS180-1601023-1	Fork shaft	1
20	Q701B45	Bend-type grease nozzle	1
21	Q150B1020	Hexagon head bolts	4
22	Q43010	Spring washers	4
23	JS180-1601016-1	Clutch Hand Hole Cover	1
24	JS180-1601017-1	Clutch Hand Hole Cover Pad	1
25	JS180-1601015-1	Clutch housing	1
26	20822	Clutch housing gasket	1
27	Q61304	Square head conical plug	1
28	GB21-76	Small hexagon head bolts	8
29	GB93-76	Spring washer	8
30	Q40112	Flat washer	8
31	16596	Bottom force window	1
32	16929	Bottom force window pad	1
33	Q614B06	Square head cone screw	1
34	Q614B12	Square head conical plug	1
35	14373	Round magnet	3
36	GB52-76	Hexagon nut	2
37	Q1231630	Studs	2
38	14334	Rear cover pin	2
39	12JS160T-1701015	Transmission case	1



12JS160T-1701100 2nd SHAFT ASSEMBLY

Serial	P/N	Name	Qty in a Gearbox
1	16763	Stop ring	6
2	12JS160T-1701108	Sliding bush	1
3	12JS160T-1701121	2nd shaft hexagonal keys	1
4	12JS160T-1701122	2nd shaft gear spline pad	5
5	12JS160T-1701123	2nd shaft gear septum	3
6	12JS160T-1701125	2nd shaft reverse gear gasket	1
7	12JS160T-1701170	1st & 2nd gear synchronizer	1
8	12JS160T-1701105	2nd shaft	1
9	12JS160T-1701110	2nd shaft reverse gear	1
10	12JS160T-1701111	2nd shaft 1st gear	1
11	12JS160T-1701112	2nd shaft second gear	1
12	12JS160T-1701113	2nd shaft third gear	1
13	12JS160T-1701114	2nd shaft four gears	1
14	12JS160T-1701115	2nd shaft fifth gear	1
15	12JS160T-1701116	1st shaft gear	1

16	JS130T-1701180	3rd & 4th gear synchronizer	2
17	Q5280310	Elastic cylindrical pins	1
12JS160T-1701047 INTERMEDIATE SHAFT			
Serial	P/N	Name	Qty in a Gearbox
1	19198	Intermediate shaft stop ring	1
2	12JS160T-1701057	Spacer bush	1
3	12JS160T-1701048	Intermediate shaft	1
4	12JS160T-1701050	Intermediate shaft third gear	1
5	12JS160T-1701051	Intermediate shaft four gear	1
6	12JS160T-1701052	Intermediate shaft five gear	1
7	12JS160T-1701056	Intermediate shaft drive gear	1
8	16JS200T-1701055	Intermediate shaft square key	1
9	Q5280514	Elastic cylindrical pins	1
10	X-6-E	Semicircle key	1
A-4729 INTERMEDIATE SHAFT BEARING PLATE ASSEMBLY			
Serial	P/N	Name	Qty in a Gearbox
1	19668	Intermediate shaft bearing plate	1
2	Q5280514	Elastic cylindrical pins	1
12JS160T-1701080 REVERSE GEAR MIDDLE SHAFT ASSEMBLY			
Serial	P/N	Name	Qty in a Gearbox
1	12JS160T-1701084	Cup-shaped reverse washer	1
2	12JS160T-1701083	Reverse gear middle gear	1
3	DS100-1701085	Needle roller bearings	1
4	JS220-1701082	Reverse gear middle shaft	1
5	Q2821212	Slotted flat end screw	1
12JS160T-1707025 2nd SHAFT BEARING ASSEMBLY			
Serial	P/N	Name	Qty in a Gearbox
1	50118	Ball bearing	1
2	12JS160T-1701124	Bearing bearing	1
3	C01019	Stop ring	1

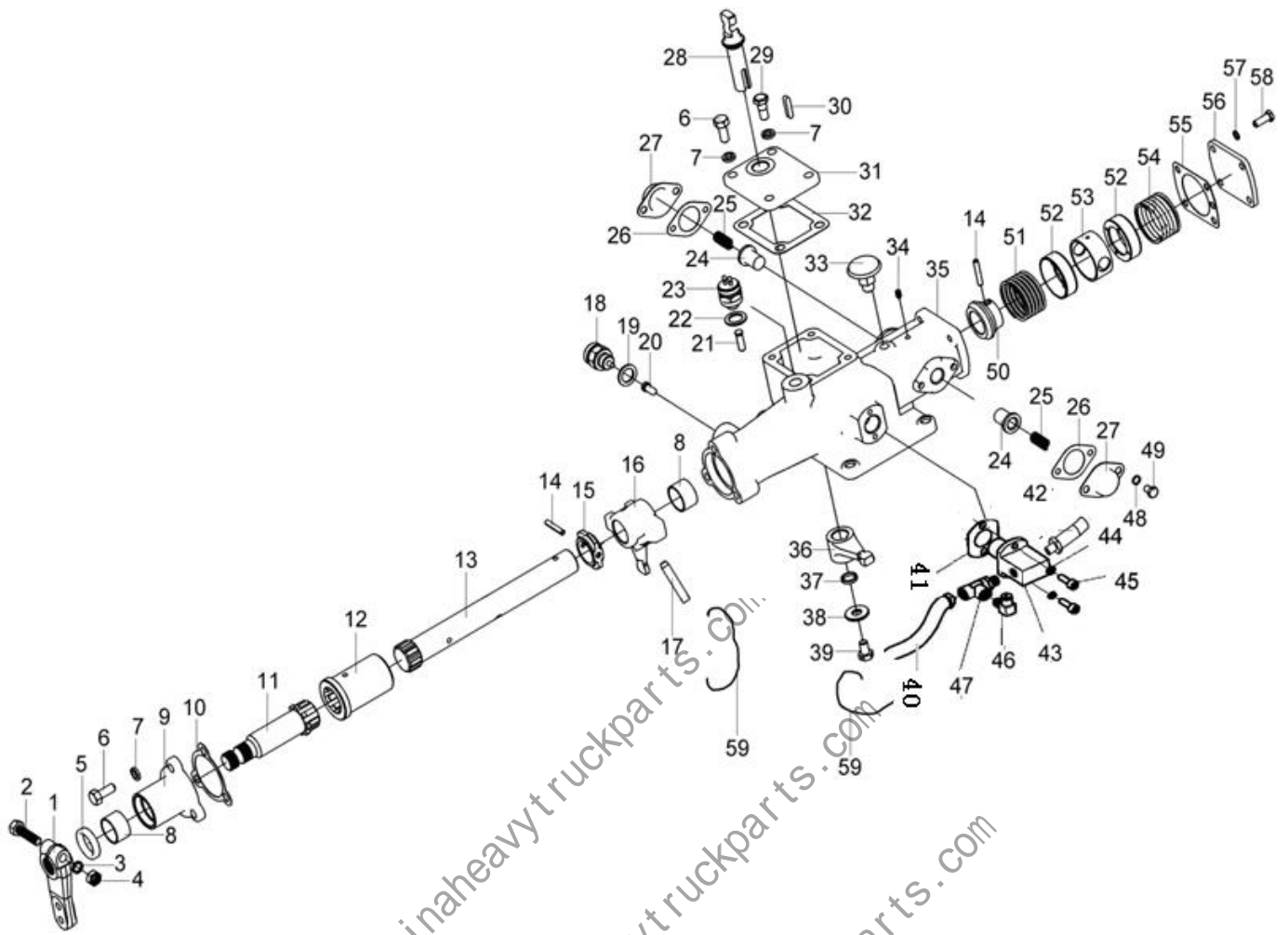


12JS160T-1703050

UPPER CAP

Serial	P/N	Name	Qty in a Gearbox
1	F96084	compressed spring	1
2	Q361B10	Hex nuts	2
3	Q40310	Spring washers	2
4	Q351B10	Hexagonal nuts	2
5	X-1-603	Hex nuts	2
6	1634	Fork fork linkage pin	2
7	19_05G100BGB-T308	Steel ball	3
8	12JS160T-1702015	Upper cover	1
9	12_7G100BGB-T308	Steel ball	4
10	11066	Studs	4
11	12JS160T-1702054	Five six file guide block	1
12	3220	Shift fork lock screw	5
13	12JS160T-1702055	Reverse fork	1
14	12JS160T-1702064	Fork shaft	2

15	12JS160T-1702063	Reverse fork fork shaft	1
16	12JS160T-1702066	5th 6th fork shaft	1
17	12JS160T-1702058	5th 6th gears fork	1
18	12JS160T-1702057	3rd 4th gears fork	1
19	12JS160T-1702056	1st 2nd gear fork	1
20	Q5280630	Elastic cylindrical pins	2
21	12JS160T-1702051	Reverse guide block	1
22	DS100-1702061	Reverse lock plunger	1
23	Mar-74	Reverse lock spring	1
24	8968	Reverse lock plug	1
12JS160T-1703050 SINGLE H VALVE			
Serial	P/N	Name	Qty in a Gearbox
1	7935	Vent plug	2
2	12845	90 degree elbow joint	1
3	55511	Air pipe	1
4	55512	Air pipe	1
5	55521	Air pipe	1
6	12JS160T-1703021	90 ° connector	1
7	12JS160T-1703051	90 ° connector	1
8	12JS160T-1703052	Single H valve	1



Serial	P/N	Name	Qty in a Gearbox
1	F96035-35	Gear shift arm	1
2	GB5785-86	Small hexagon head bolts	1
3	GB93-87	washer	1
4	GB6171-86	Small hex nuts	1
5	F91444	Oil seal	1
6	Q150B1025	Hexagon head bolts	5
7	Q40310	Spring washers	5
8	F91345	Horizontal shift lever bushing	2
9	C03033-2	End cover	1
10	C03034-1	Baffle liner	1
11	C03032-3	Shift connector	1
12	C03031-1	Spline bushing	1

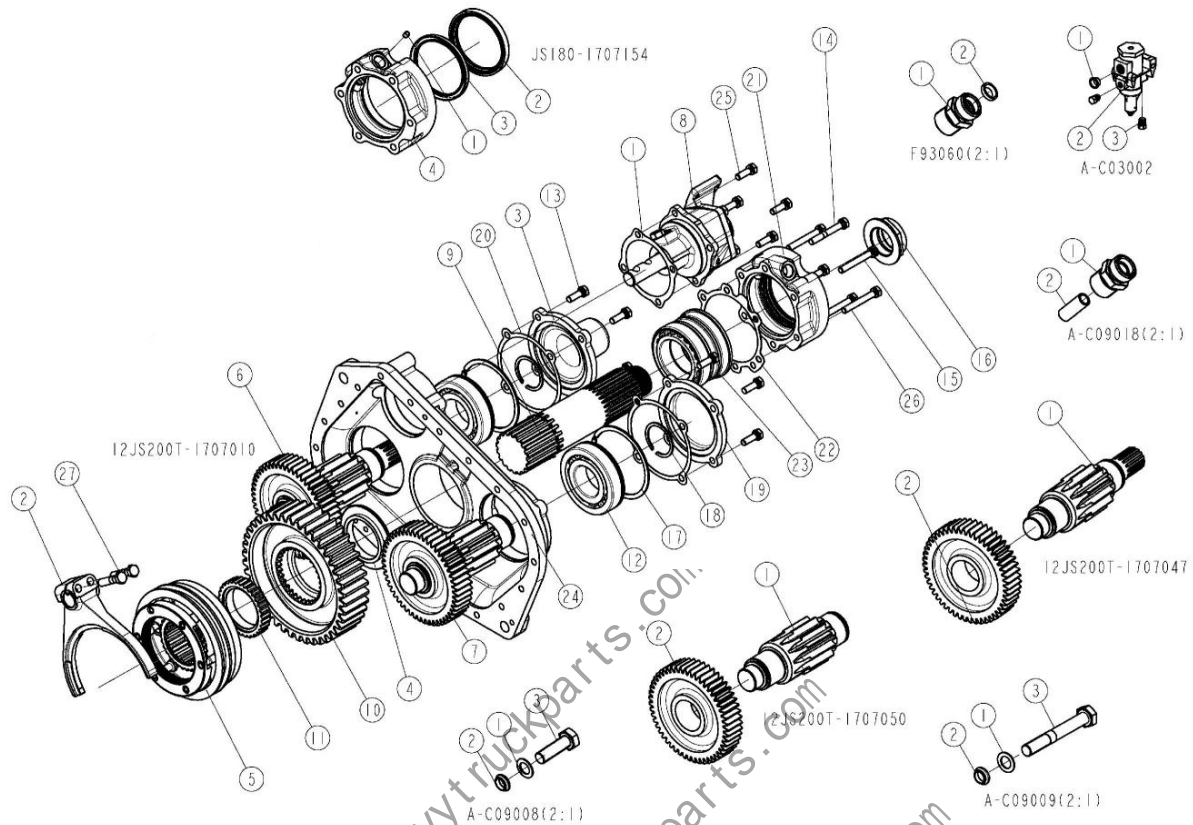
13	F99679-8	Horizontal shift lever	1
14	GB879-76	Elastic cylindrical pin	2
15	F99681	Low reverse switch control block	1
16	F99585-1	Head	1
17	C03030	Cylindrical pin	1
18	99012710041-3	Pressure switch (neutral)	1
19	Q72318T5	Mattress	1
22	C03015	Mattress	1
23	79100710068-1	Pressure switch (reverse gear)	1
24	F99670	Positioning plunger	2
25	F96037-2	compressed spring	2
26	F96140	liner	2
27	F96141	Spring gland	2
28	C03038-1	Selector connector	1
29	C03040-1	Positioning screw	2
30	Q5510628	Flat key	1
31	C03036-1	Window cover	1
32	C03037-1	Window liner	1
33	15276	Vent plug	1
34	C03004	Stop screw	1
35	F96194-6-Y	Double H manipulator housing	1
36	C03035-1	Pick up head	1
37	HG4-333-66	O-ring	1
38	C03039-1	washer	1
39	Q170B1016	Hex head head with hole bolt	1
40	55534	Air pipe	1
41	F91353	Double H valve liner	1
42	55512	Air pipe	1
43	12JS160T-1703022	Air control valve	1
44	GB93-76	Spring washer 6	2
45	GB70-76	Hexagon socket head cap screws (M6 × 18)	2
46	12JS160T-1703021	90 quick connector	2
47	C03052	Connector	1
48	GB859-76	Spring washer	4
49	GB21-76	Small hexagon head bolts	4
50	F99675	Locating ring	1
51	F99983-1	compressed spring	1
52	F99673	spring chair	2

53	F99674	Spring spacer	1
54	F96036-4	compressed spring	1
55	F99672	End pad	1
56	F99666	Side panel	1
57	GB93-76	Spring washer 8	4
58	GB21-76	Small hexagon head bolts (M8 × 22)	4
59	1819	Wire Φ1.2	

www.chinaheavytruckparts.com

www.chinaheavytruckparts.com

www.chinaheavytruckparts.com



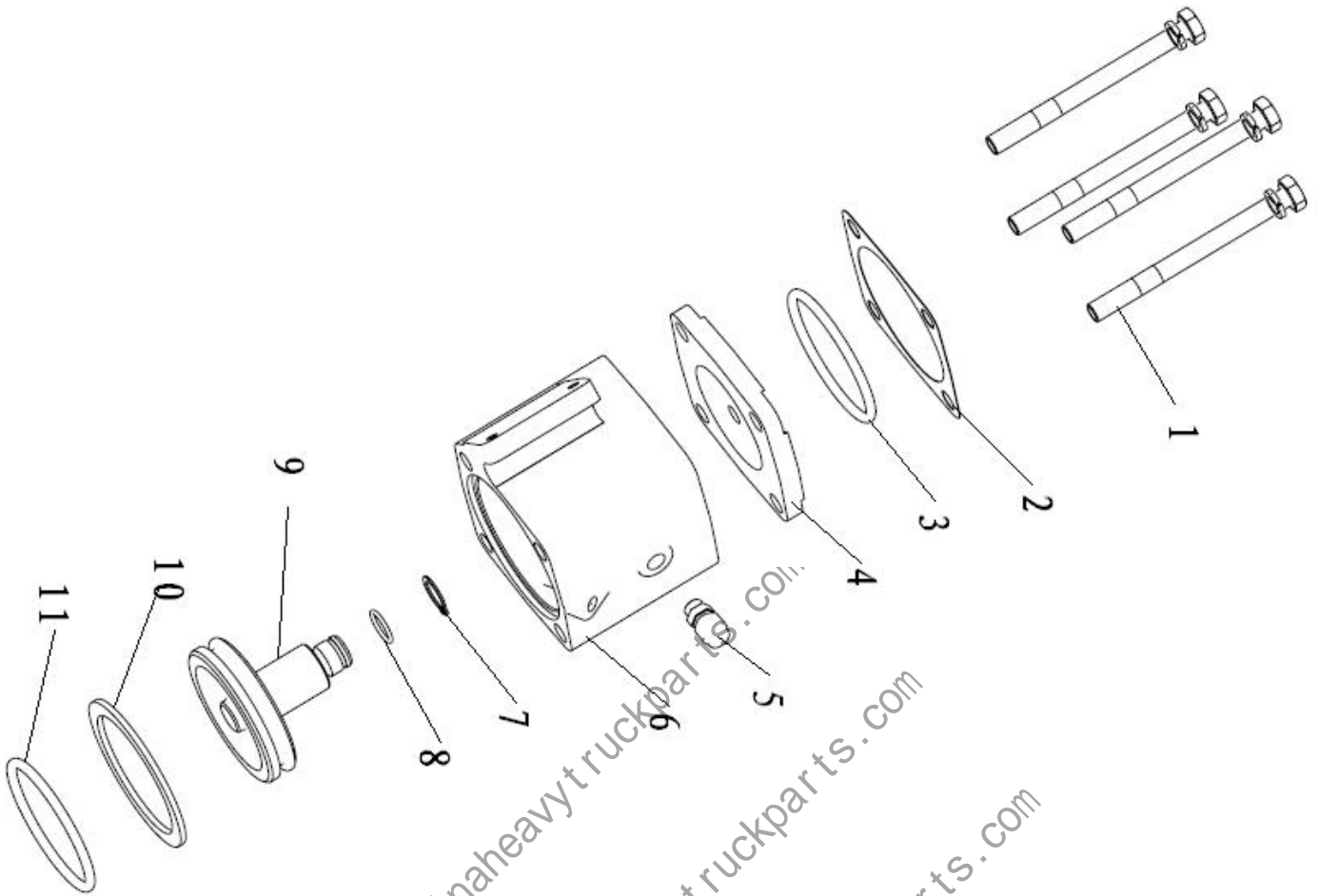
12JS160T-1707010 REAR CAP ASSEMBLY

Serial	P/N	Name	Qty in a Gearbox
1	14347	Gasket	1
2	16775	Fork	1
3	10JS160-1707052	Lengthen middle shaft cover	1
4	12JS160T-1707108	Vice box main gear gear plate	1
5	12JS160T-1707140	Synchronizer assembly	1
6	12JS160T-1707047	Lengthened intermediate shaft welding assembly	1
7	12JS160T-1707050	Vice box middle shaft welding assembly	1
8	12JS160T-1707060	Vice box cylinder assembly	1
9	12JS160T-1707105	Vice box spindle	1
10	12JS160T-1707106	Vice box spindle reduction gear	1
11	12JS160T-1707107	Vice box spindle washer	1
12	192311E	Short cylindrical roller bearings	2
13	A-C09008	Bolt assembly	8
14	A-C09009	Bolt assembly	1
15	C09033	Hex head head	1

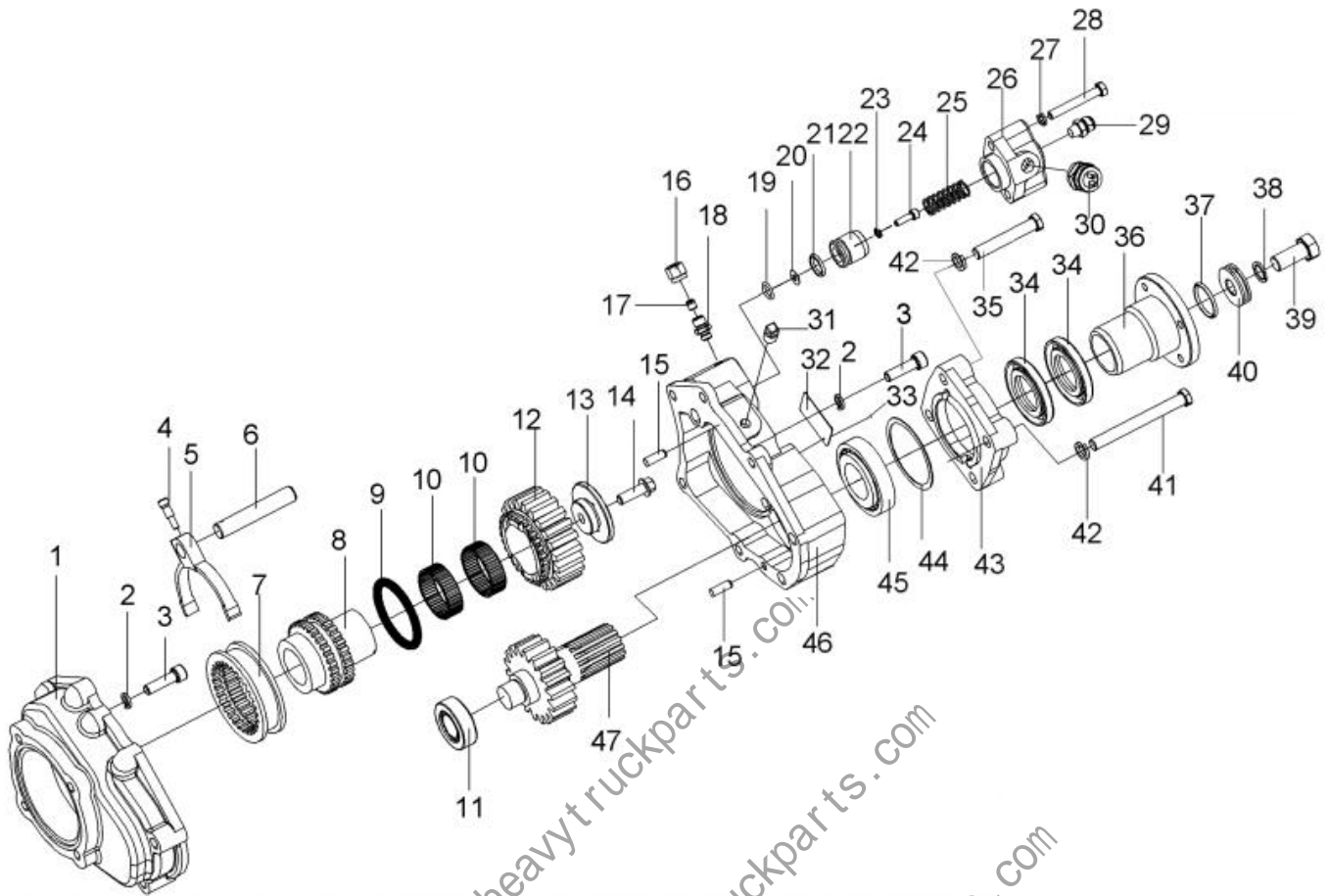
16	F96006	Flange nut	1
17	GB305-82-120-1297	Stop ring	2
18	JS180-1707051	Stop ring	2
19	JS180-1707052	Vice box middle shaft cover	1
20	JS180-1707053	Vice-box intermediate shaft cover pad	2
21	JS180-1707154	Spindle rear bearing cap assembly	1
22	JS180-1707156	Spindle rear bearing cap gasket	1
23	JS200-1707109	Tapered Roller Bearings	1
24	JS220-1707015	Back cover shell	1
JS180-1707154 1ST SHAFT REAR BEARING CAB ASSEMBLY			
Serial	P/N	Name	Qty in a Gearbox
1	7992	Odometer Passive gear bushings	1
2	19109	Oil seal	1
3	C01032	1st shaft rear bearing cover oil seal	1
4	JS180-1707155	1st shaft rear bearing cover	1
A-C09009 BOLT ASSEMBLY			
Serial	P/N	Name	Qty in a Gearbox
1	17106	Copper washers	1
2	19709	Gland	1
3	Q150B1075	Hexagon head bolts	1
A-C09008 BOLT ASSEMBLY			
Serial	P/N	Name	Qty in a Gearbox
1	17106	Copper washers	1
2	19709	Gland	1
3	Q150B1032M	Precoated hexagon head bolts	1
12JS160T-1707050			
Serial	P/N	Name	Qty in a Gearbox
1	12JS160T-1707051	Vice box intermediate shaft	1
2	12JS160T-1707056	Vice box intermediate shaft drive gear	1
12JS160T-1707047 ASSEMBLY P/N			
Serial	P/N	Name	Qty in a Gearbox
1	12JS160T-1707048	Vice box lengthened intermediate shaft	1
2	12JS160T-1707056	Vice box intermediate shaft drive gear	1
A-C03002-11 ASSEMBLY P/N			
Serial	P/N	Name	Qty in a Gearbox

1	54015	Plug	1
2	A-4740-1	Air filter regulator assembly	1
3	Q618B01	Hexagon head conical plug	2
F93060 ASSEMBLY P/N			
Serial	P/N	Name	Qty in a Gearbox
1	F91005-1	Odometer joint	1
2	HG4-333-66-12X1.9	O-ring	1

www.chinaheavytruckparts.com
www.chinaheavytruckparts.com
www.chinaheavytruckparts.com



Serial	P/N	Name	Qty in a Gearbox
1	Q14210115	Hexagon head bolts and spring washer	4
2	14349	Cylinder head gasket	1
3	14344	O-ring	1
4	QH70-4211407-1	Center position cylinder head	1
5	Q901	Normally open vent plug	1
6	QH70-4211402-2	Intermediate position cylinder	1
7	Q43117	Shaft with elastic ring	1
8	14765	O-ring	1
9	QH70-4211406-1	Piston connection shaft	1
10	QH70-4211404	Locating ring	1
11	14344	O-ring	1



Serial	P/N	Name	Qty in a Gearbox
1	QH50-4211101-1	Shell	1
2	Q40310 (GB93-87)	Spring washer 10	9
3	Q150B10130	Hexagon socket head cap screws	9
4	QH50-42111312	Fork set screw	1
5	QH50-42111301	Fork	1
6	QH50-42111305	Fork shaft	1
7	QH50-42111302	Meshing teeth	1
8	QH50-42111105	Hollow shaft	1
9	QH50-42111110	Support spring assembly	1
10	K505517	Needle roller bearings	2
11	32205	Tapered Roller Bearings	1
12	QH50-42111106	Input gear	1
13	QH50-42111104	Input gear ring	1
14	Q18111030	Hexagon flange face bearing with toothed bolt	1

15	Q5210824	Locating pins	2
16	Q80106	Nuts for pipe fittings	1
17	Q80006	card cover	1
18	Q80406	Cuffed end through body	1
19	GB3452.1	O-ring 16 × 2.65	1
20	QH50-42111309	Gasket	1
21	GB3452.1	O-ring 21.2 × 3.55	1
22	QH50-42111310	Pistons	1
23	Q40306 (GB93-87)	Spring washer 6	1
24	Q218B0620	Hexagon socket head cap screws	1
25	QH50-42111311	Return spring	1
26	QH50-42111306	cylinder block	1
27	Q40308 (GB93-87)	Spring washer 8	2
28	Q150B0860	Hexagon head bolts	2
30	79100710068	Reverse switch	1
31	Q614B03	Square head conical plug	1
31	Q901	Normally open vent plug	1
32	QH50-42111119	Signs	1
33	Q5410206	Sign rivets	2
34	F500A-1802192	Skeleton oil seal	2
35	Q150B1250	Hexagon head bolts	2
36	QH50-4211204	Flanges	1
37	GB3452.1	O-ring 35.5 × 3.55	1
38	Q72316	Mattress	1
39	Q151B1635	Hexagon head bolts	1
40	QH50-42111202	Sealed baffle	1
41	Q150B12110	Hexagon head bolts	2
42	Q40312 (GB93-87)	Spring washer 12	4
43	QH50-42111206	Bearing cap	1
44	QH50-42111203	Adjusting washer	1 set
45	30208	Tapered Roller Bearings	1
46	QH50-4211102-1	Take the lid	1
47	QH50-4211201	Output gear shaft	1